

AUTOMATIC FIRE EXTINGUISHERS - CEILING MOUNTED

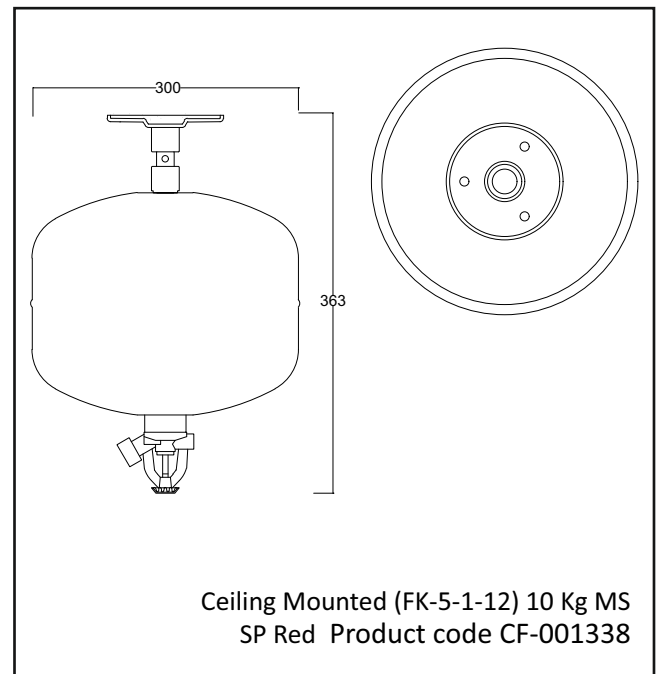
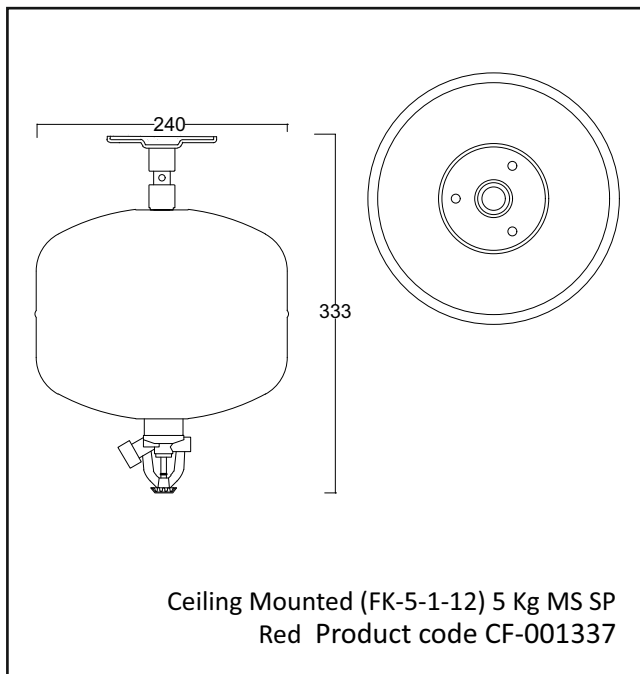
FLUOROKETONE (PRODUCT OVERVIEW)

There are areas in a workplace that contain highly flammable materials with little or no human traffic. Here, the chances of fire going undetected are high. Ceasefire's Ceiling mounted extinguisher detects the rising temperature of the area and activates automatically, even when there's no one around, ensuring that the fire is brought under control early and efficiently.

This super-smart fire suppression system is available in Fluoroketone, which happens to be a cold gas, therefore, extinguishes fire by absorbing heat from it. After being sprayed it leaves behind no residue and works on class A, B, C, and Electrically started fires.



ENGINEERING DRAWINGS





TECHNICAL SPECIFICATIONS

Product Code	UOM	CF-001337	CF-001338
Description	—	Ceiling Mounted Fluoroketone (FK) 5Kg MS SP Red	Ceiling Mounted Fluoroketone (FK) 10Kg MS SP Red
Capacity of Agent	L	5-5%	10-5%
Certification	—	PED BSI TESTED*	PED BSI TESTED*
Diameter of Shell	MM	240	300
Total Height (approx.)	MM	333	363
MOC of Shell	—	Steel CR2(DC01)	Steel CR2(DC01)
Min. Wall Thickness	MM	1.6	2
Test Pressure	BAR	35	35
Max. Coverage Volume	m ³	7	15
Anti-Corrosive Treatment	—	Outer surfaces are EP Powder coated having Thickness 50 Micron Min. RAL Shade 3000	Outer surfaces are EP Powder coated having Thickness 50 Micron Min. RAL Shade 3000
Service Pressure	BAR	10	10
Type of Operating Mechanism	—	Automatic	Automatic
Type of Pressure Gauge	—	Magnetic Bourdon Tube Type	Magnetic Bourdon Tube Type
Type of Dis. Fitting & Length	MM	Quartzoid Bulb	Quartzoid Bulb
Throw	Meter	NA	NA
Min. Discharge Time	SEC.	4 to 8	6 to 10
Fire Rating	—	NA	NA
Operating Temperature Range	°C	From -30°C to + 60°C	From -30°C to + 60°C
Applicable to Type of Fire	—	Class A, B, C & Electrical Started Fire	Class A, B, C & Electrical Started Fire
Filled Weight Range**	KG	7.40 to 7.50	14.05 to 14.5
Packed Weight Range (approx)***	KG	8.8	16.43
Packed Size Length xWidth x Height	MM	255 X 255 X 320	315 X 315 X 370
Product Warranty	YEAR	5	5

*Test Completed, Report Awaited.

*It includes Empty Extinguisher, Contents, QBD , Metron and Base Plate.

**It includes Empty Extinguisher, Contents, Packaging, QBD , Metron and Base Plate.

QUARTZOID BULB KEY

- 57°C / 135°F ● 68°C / 155°F ● 79°C / 174°F ● 93°C / 200°F ● 141°C / 286°F
● 182°C / 360°F ● 227°C / 440°F

AUTOMATIC FIRE EXTINGUISHERS - CEILING MOUNTED

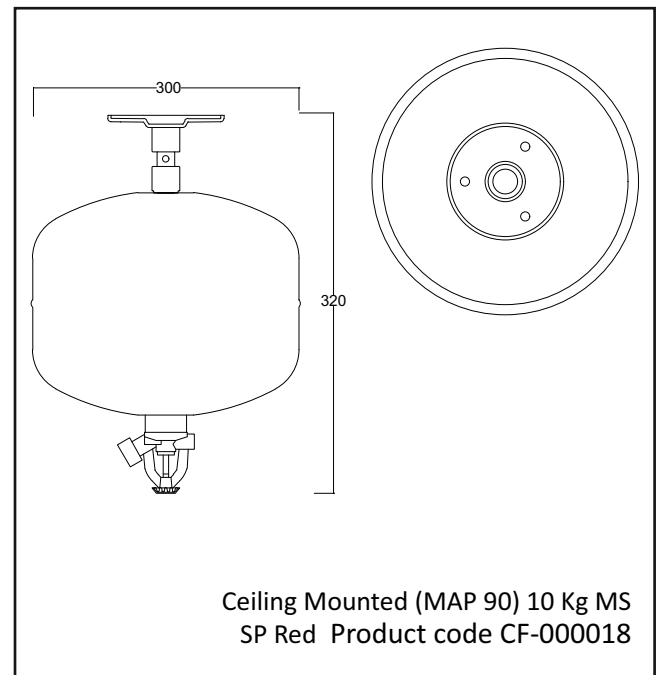
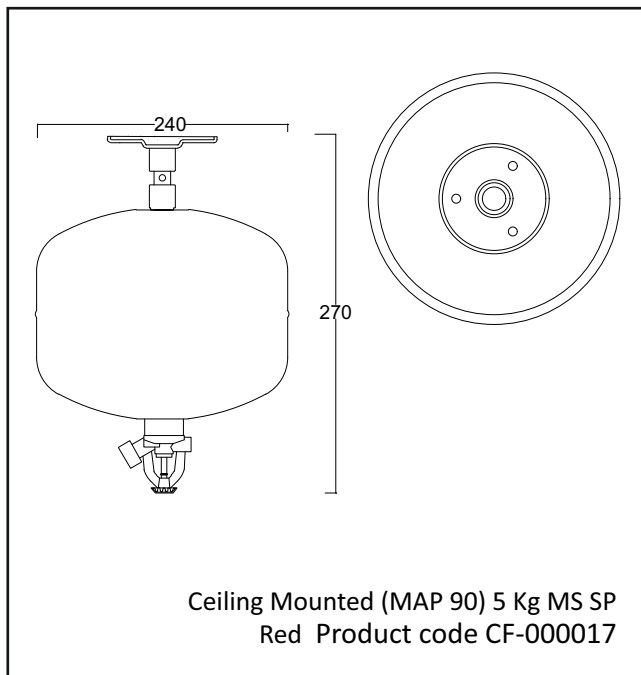
ABC POWDER (MAP-90) (PRODUCT OVERVIEW)

Ceasefire's Ceiling Mounted extinguisher, with their automatic detection and activation feature, prevents such an occurrence. Because they are ceiling-mounted, they are also useful in areas that are beyond the range of normal fire extinguishers, such as high chemical stacks. In the event of a fire, they extinguishers activate automatically, spraying the extinguishant with maximum force, ensuring that the fire is brought under control rapidly and efficiently.

The ABC powder variant of these extinguishers uses a 90% concentration of Mono Ammonium Phosphate. These extinguishers maximize your firefighting power against virtually all classes of fire.



ENGINEERING DRAWINGS





TECHNICAL SPECIFICATIONS

Product Code	UOM	CF-000017	CF-000018
Description	—	Ceiling Mounted (MAP 90) 5Kg MS SP Red	Ceiling Mounted (MAP 90) 10Kg MS SP Red
Capacity of Agent	L	5-5%	10-5%
Certification	—	PED BSI TESTED*	PED BSI TESTED*
Diameter of Shell	MM	240	300
Total Height (approx.)	MM	270	320
MOC of Shell	—	Steel CR2(DC01)	Steel CR2(DC01)
Min. Wall Thickness	MM	1.6	2
Test Pressure	BAR	35	35
Max. Coverage Area	m ²	Upto 12	Upto 28
Anti-Corrosive Treatment	—	Outer surfaces are EP Powder coated having Thickness 50 Micron Min. RAL Shade 3000	Outer surfaces are EP Powder coated having Thickness 50 Micron Min. RAL Shade 3000
Service Pressure	BAR	15	15
Type of Operating Mechanism	—	Automatic	Automatic
Type of Pressure Gauge	—	Magnetic Bourdon Tube Type	Magnetic Bourdon Tube Type
Type of Dis. Fitting & Length	MM	Quartzoid Bulb	Quartzoid Bulb
Throw	Meter	NA	NA
Min. Discharge Time	SEC.	4 to 8	6 to 10
Fire Rating	—	NA	NA
Operating Temperature Range	°C	From -30°C to + 60°C	From -30°C to + 60°C
Applicable to Type of Fire	—	Class A, B, C & Electrical Started Fire	Class A, B, C & Electrical Started Fire
Filled Weight Range**	KG	7.70 to 7.90	14.70 to 15.10
Packed Weight Range (approx)***	KG	8.8	16.43
Packed Size Length xWidth x Height	MM	255 X 255 X 320	315 X 315 X 370
Product Warranty	YEAR	5	5

*Test Completed, Report Awaited.

*It includes Empty Extinguisher, Contents, QBD , Metron and Base Plate.

**It includes Empty Extinguisher, Contents, Packaging, QBD , Metron and Base Plate.

QUARTZOID BULB KEY

- 57°C / 135°F
 ● 68°C / 155°F
 ● 79°C / 174°F
 ● 93°C / 200°F
 ● 141°C / 286°F
● 182°C / 360°F
 ● 227°C / 440°F

CERTIFICATIONS



PRODUCT PICTURES



5 KG



10 KG



*v1' Published Date is 22-10-2022.

**Regular R&D and product improvisations may lead to change in product specifications in this data sheet, without any prior notice.

CEASEFIRE INDUSTRIES UK LIMITED

Call us at: 0-113-868-6666, 0-126-891-9999

www.ceasefire.co.uk