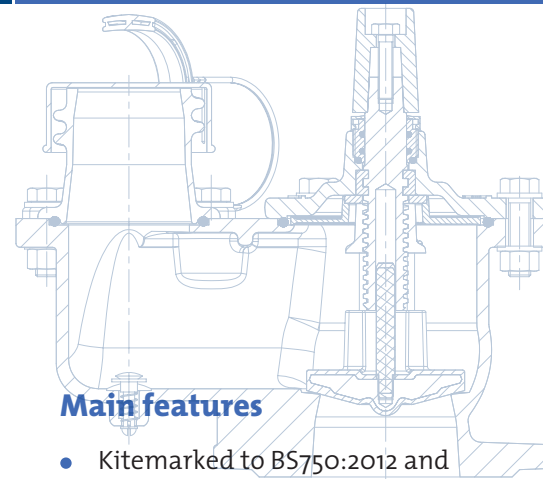


# FH2-CE Fire Hydrant

FH2-CE Underground Fire Hydrant to BS 750:2012 Type 2 and BS EN 14339 Certificate No. KM 31556

CE Marked in accordance with Construction Products Directive; Certificate No. 0086-CPD-551050

**DN80, PN16 or PN25**



## Main features

- Kitemarked to BS750:2012 and BS EN 14339
- Robust design with minimal maintenance requirements - safety factor of 2.6
- Automatic frost valve - no water escape during operation
- Secure bolted bonnet to enable easy maintenance
- Low weight compact design for ease of handling and installation
- Universal inlet flange
- Ductile iron construction
- All non-metallic parts WRAS approved
- Stainless steel bolts (standard)
- 2½" London round thread stainless steel outlet (standard) to BS 750:2012

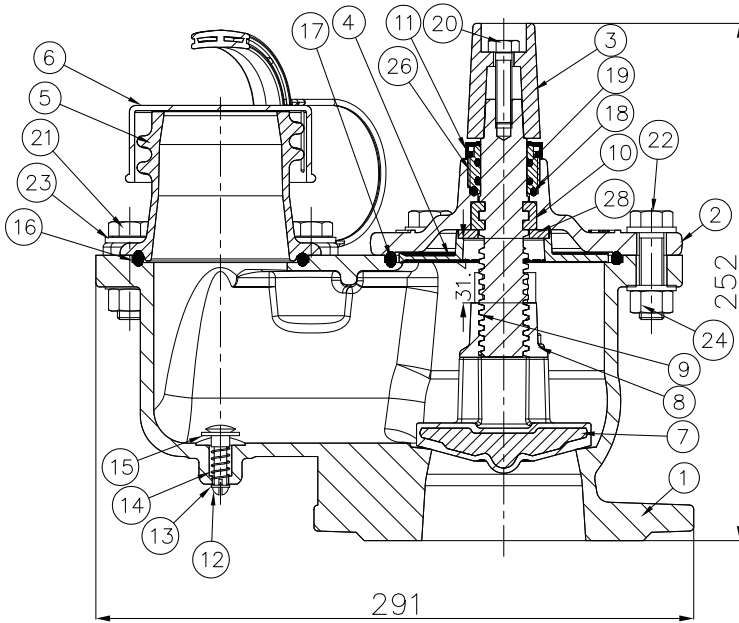
## Options

- PN16 (standard) or PN25
- Fixed stopper (black outlet cap) Loose stopper (white outlet cap)
- Bayonet outlet (UK or Dublin versions)
- N.I. Belfast outlet

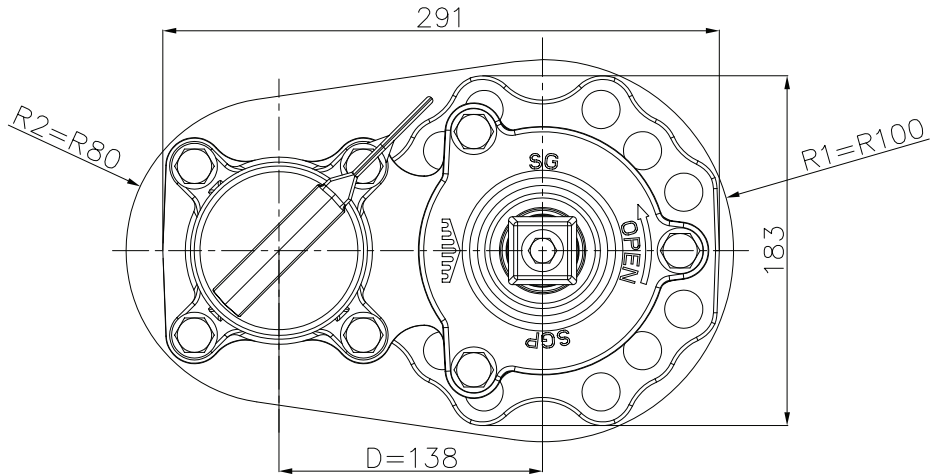
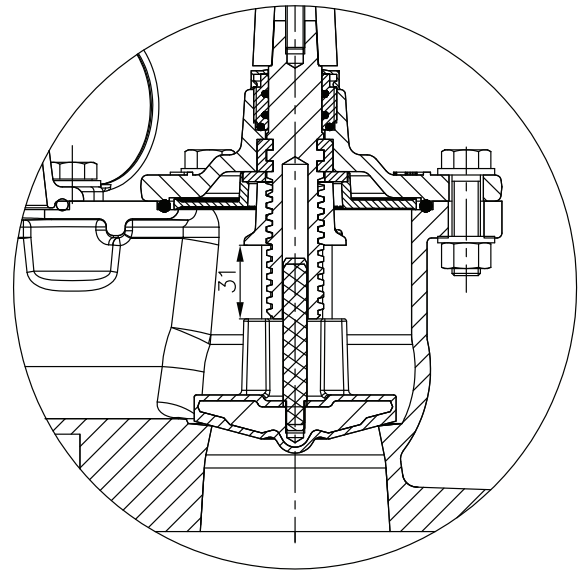
## Technical information

- Clockwise close
- Weight 11.4 kg
- Maximum operating temperature 60°C
- MOT 105 Nm
- MST 210 Nm
- Kv>92m<sup>3</sup>/hour
- Drainage system – time to drain 5 minutes
- Volume retained water 6ml
- Number of turns - to start flow 1  
- fully open 8
- Hydrant for potable water systems BS EN 1074-6 2004
- Fully compliant to BS EN 14339, BS EN 1074-6 & BS750:2012
- Resistance to disinfection BS EN 1074-6
- Blue fusion bonded epoxy coating 250 microns to BS EN 14901 & DIN 30677
- Inlet flange suitable for connections to BS EN 1092-2 & PN10/16 & BS 10 3" table D & E
- Stem seals & stem cap BS 750:2012

Fixed Stopper Hydrant DN80



Loose Stopper Hydrant DN80



Materials

Ref	Description	Material	Standard
1	HYDRANT BODY	Ductile iron GJS 500/7	BS EN 1563
2	HYDRANT BONNET	Ductile iron GJS 500/7	BS EN 1563
3	OPERATING CAP	Ductile iron GJS 500/7	BS EN 1563
4	LIMITER	Dupont Zytel 70G30 HSL NC010	WRAS LISTED
5	SCREW OUTLET	STAINLESS STEEL GRADE 1.4027 min 13%Cr	BS EN 10088 - 3
6	OUTLET COVER	HDPE	
7	FIXED/LOOSE STOPPER	"Ductile Iron GJS 500/7 / EPDM AA - 7G DZ"	"BS EN 1563 / BS EN 681-1"
8	SPINDLE NUT	CW 614 N	BS 12164
9	SPINDLE	STAINLESS STEEL GRADE 1.4021	BS EN 10088 - 3
10	LIMITER	CW 614 N	BS 12164
11	WIPER RING	EPDM AA - 7G DZ	BS EN 681-1
12	FROST VALVE SPINDLE	Dupont Zytel 70G30 HSL NC010	WRAS LISTED
13	FROST VALVE WASHER	B NYLON	BS 4320
14	FROST VALVE SPRING	GRADE 1.4310	EN 10270 - 3

Ref	Description	Material	Standard
15	FROST VALVE EPDM WASHER	EPDM AA - 7G DZ	BS EN 681-1
16	"O" - RING 75X 5	EPDM IHRD	BS EN 681-1
17	"O" - RING 105X 5	EPDM IHRD	BS EN 681-1
18	"O" - RING 26X 3	EPDM IHRD	BS EN 681-1
19	"O" - RING 23X 2,5	EPDM IHRD	BS EN 681-1
20	HEXAGON HEAD BOLT M8x35	STAINLESS STEEL GRADE A2 - 70	ISO 4017
21	HEXAGON HEAD BOLT M12x40	STAINLESS STEEL GRADE A2 - 70	ISO 4017
22	HEXAGON HEAD BOLT M12x45	STAINLESS STEEL GRADE A2 - 70	ISO 4017
23	WASHER A12	STAINLESS STEEL GRADE A2	ISO 7089
24	NUT M12	STAINLESS STEEL GRADE A2	ISO 4032
25	SEALING NUT	CW 614 N	BS 12164
26	GUIDE PIN	STAINLESS STEEL GRADE 1.4057	BS EN 10088 - 3
27	WASHER A24	STAINLESS STEEL GRADE A2	ISO 7089

Saint-Gobain PAM UK Ltd

Lows Lane, Stanton-by-Dale, Ilkeston, Derbyshire DE7 4QU  
 Tel: +44 (0)115 930 5000  
 Fax: +44 (0)115 932 9513  
 Website: www.saint-gobain-pam.co.uk

The information given in this leaflet is, to the best of our knowledge, correct at the time of going to press. However Saint-Gobain PAM UK are constantly looking at ways of improving their products and services and therefore reserve the right to change, without prior notice, any of the data contained in this leaflet. Please contact our Technical Sales Department for detailed advice.



Cert. No.12908